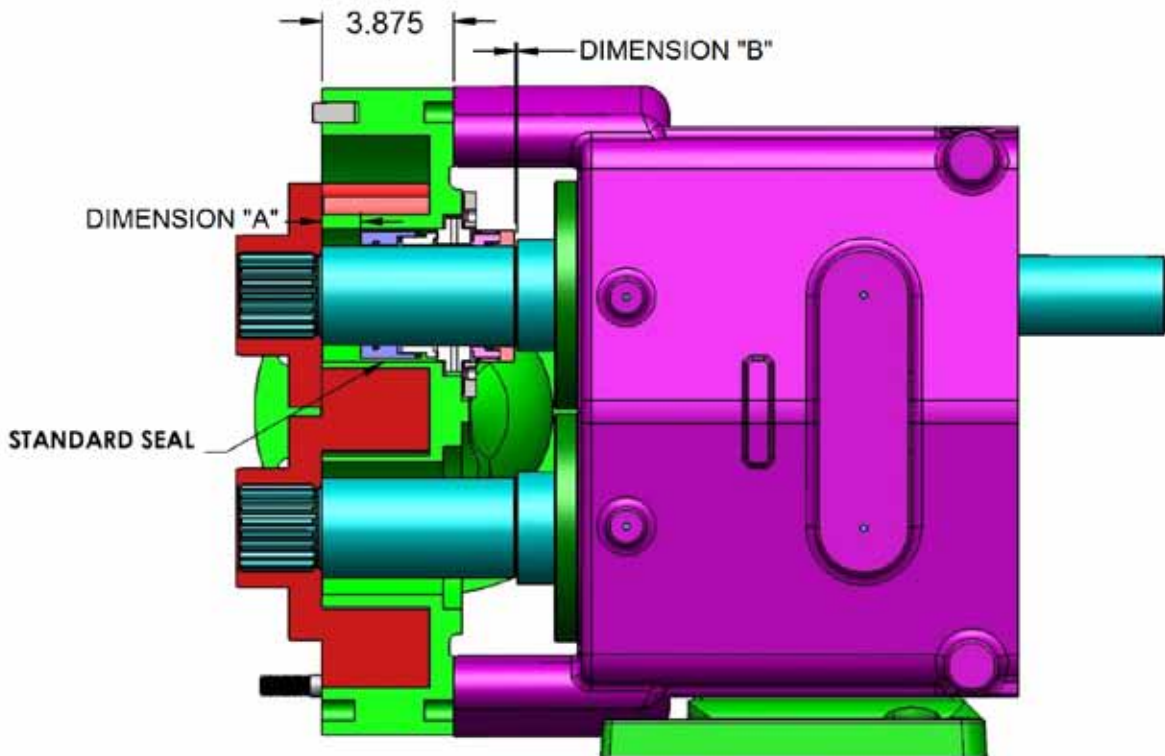


Determining W320/323 Double Seal Setting

- 1) Measure body thickness from body face to gearbox mounting. Your dimension should be 3.875" or less.



- 2) See table below to determine proper seal setting for inner and outer seal. Due to the seal setting flexibility, the seal setting is calculated in .015" increments.

W320 Seal Setting Table

New Body Length	Up to Actual Measurement	Difference	Dimension "A"	Dimension "B"
3.875	3.845	0.030	No Change	No Change
3.875	3.830	0.045	1.080	0.045
3.875	3.815	0.060	1.065	0.060
3.875	3.800	0.075	1.050	0.075
3.875	3.785	0.090	1.035	0.090
3.875	3.770	0.105	1.020	0.105



ZM TECHNOLOGIES

1010 Shaw Road · Stockton · CA · 95215
Phone: (209) 547-1965 · Fax: (209)464-8140

- 3) Lubricate shaft o-ring and slide outer seal onto shaft. Use feeler gauges to set seal off of pump shaft step, Dimension "B".
- 4) Carefully slide stationary seat with outer gasket onto shaft until outer seal face is touching the stationary seat face. A little silicone lubricant on gasket will help hold the gasket in place.
NOTE: *Take care not to drag and touch shaft during installation as this might result in damaging the seat.*
- 5) Lubricate shaft o-ring and slide inner seal onto shaft. Use seal setting distance from table to determine proper inner seal location, Dimension "A". **NOTE:** *Seal setting tool will need to be relaxed by dimension indicated in table. Use calipers or a dial indicator to measure when relaxing seal setting tool after seal is fully compressed.*
- 6) Tighten all set screws on the inner and outer seals. **NOTE:** *Tighten set screws in a circular pattern. Tighten first set screw completely tight, then tighten set screw next the first completely tight. Direction for next screw does not matter. Repeat twice until all set screws are tightened. DO NOT over tighten set screws.*
- 7) Center stationary seat in relationship to the inner seal face. **NOTE:** *Not centering seat will result in damage to seat upon pump body installation.*
- 8) Measure distance from seal retainer back face to shaft step, Dimension "A", to double check the inner seal proper location.
- 9) Place inner gasket upon stationary seat. A little silicone lubricant on gasket will help hold the gasket in place.
- 10) Carefully slide body on to studs and push into position. **NOTE:** *Take care not to damage stationary seat and the position of the inner and outer gaskets.*
- 11) Tighten the two socket cap screws until body is tight against the gearbox.
- 12) Position the outer gasket to align flush and bolt holes. Align the seal gland with the bolt holes and tighten the 8x 3/8" bolts (4x per gland). Follow normal star pattern tightening process. Bolts should be fully tighten after three rounds through the tightening process. **DO NOT** over tighten. **DO NOT** tighten completely on one pass.

Your seal installation is now completed.